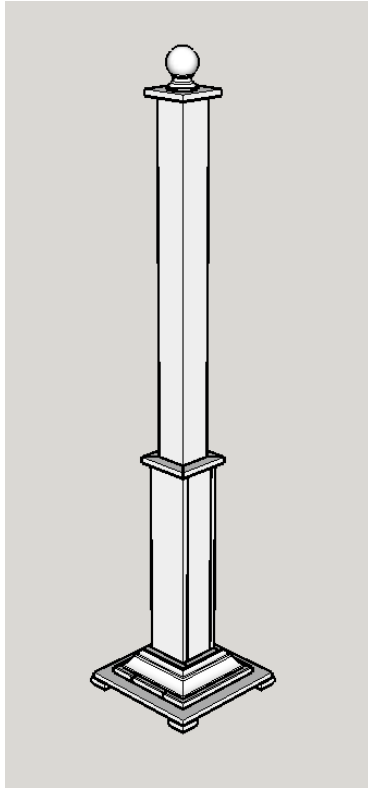


DIY Coat Rack Instructions

Sprinkled with Sawdust



Shopping List
1 - 8' 4x4 1 - 8' 1x6 1 - 6' 1x6 (or a piece of scrap at least 16.5" long) 1 - 8' 1x2 1 - 8' piece crown molding (3 5/8-inch wide) 1 post finial Wood glue 1-1/4" wood screws 3" wood screws Brads/finish nails Paintable caulk
Tools
Miter saw Drill Brad/finish nailer

Cut List

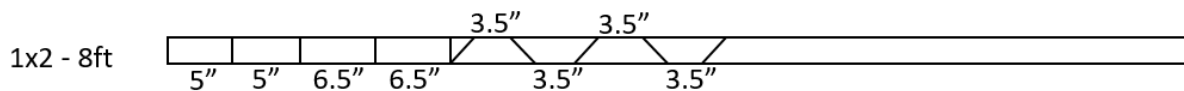
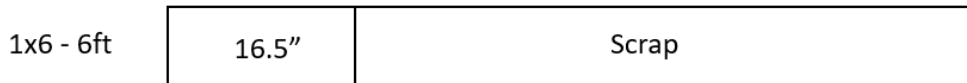
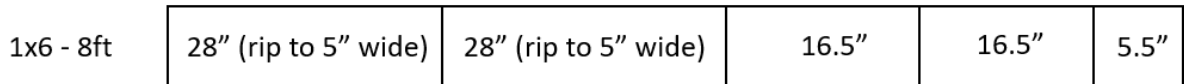
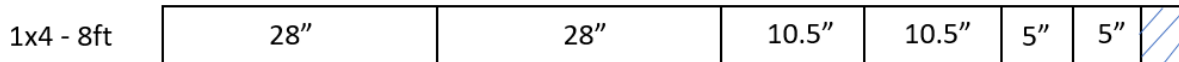
4x4 - ~6ft

1x4 - 2 @ 28", 2 @ 10.5", 2 @ 5"

1x6 - 2 @ 28" & ripped to 5" wide, 3 @ 16.5", 1 @ 5.5"

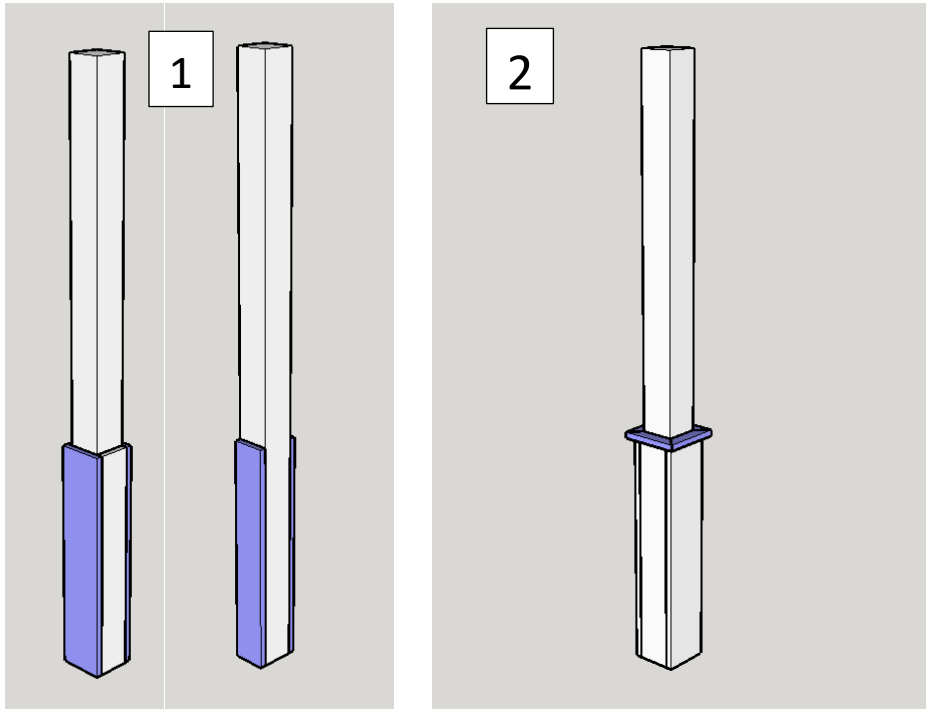
1x2 - 2 @ 5", 2 @ 6.5", 4 @ 3.5" mitered 45 degrees, measured on short edge

4 wood squares from scrap wood, ~2.5" square (these are the little feet)

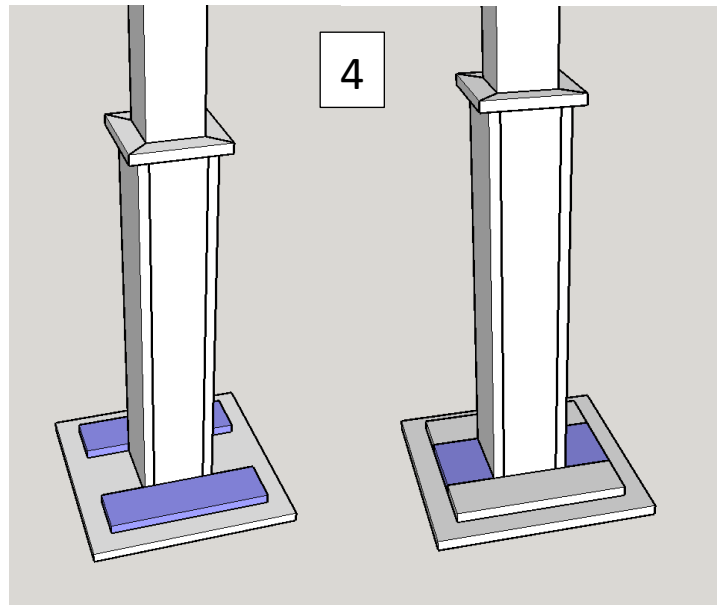
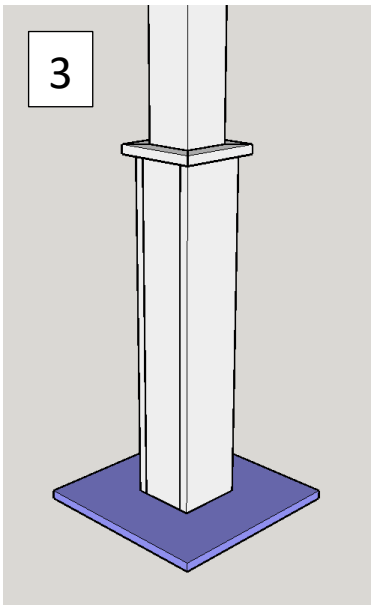


Directions

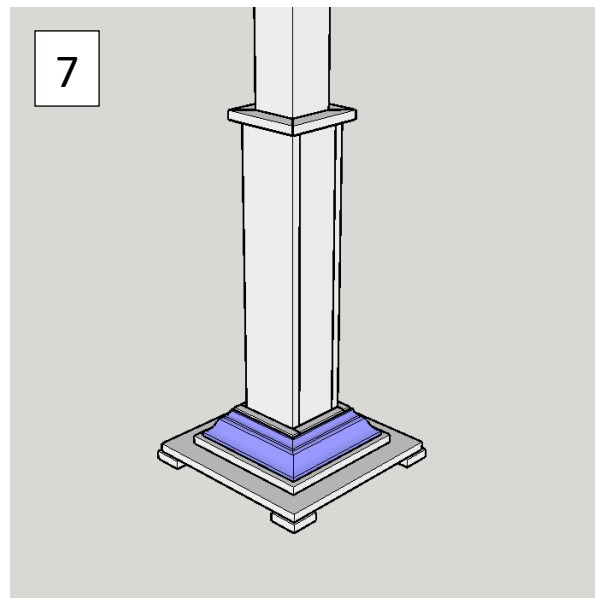
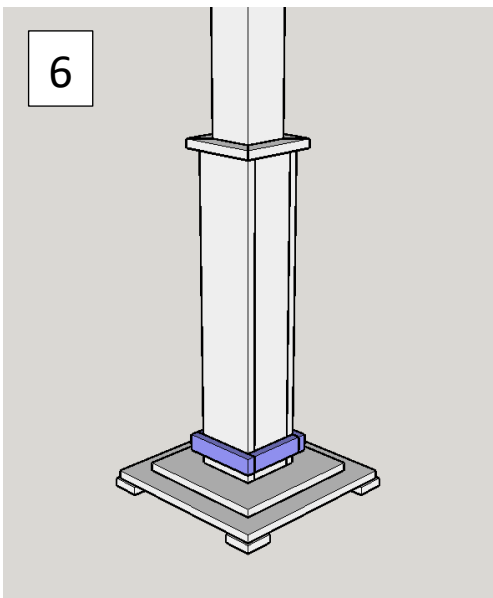
1. Wrap the bottom of the 4x4 with the 28" long pieces of 1x4 and 1x6. Attach the 1x4 first, lining up the edges of the 1x4 with the sides of the 4x4. Glue and attach with screws or finish nails. Then attach the ripped 1x6 to the opposite sides the same way.
2. Cap the top of the "wrapping" with the 4 pieces of mitered 1x2.



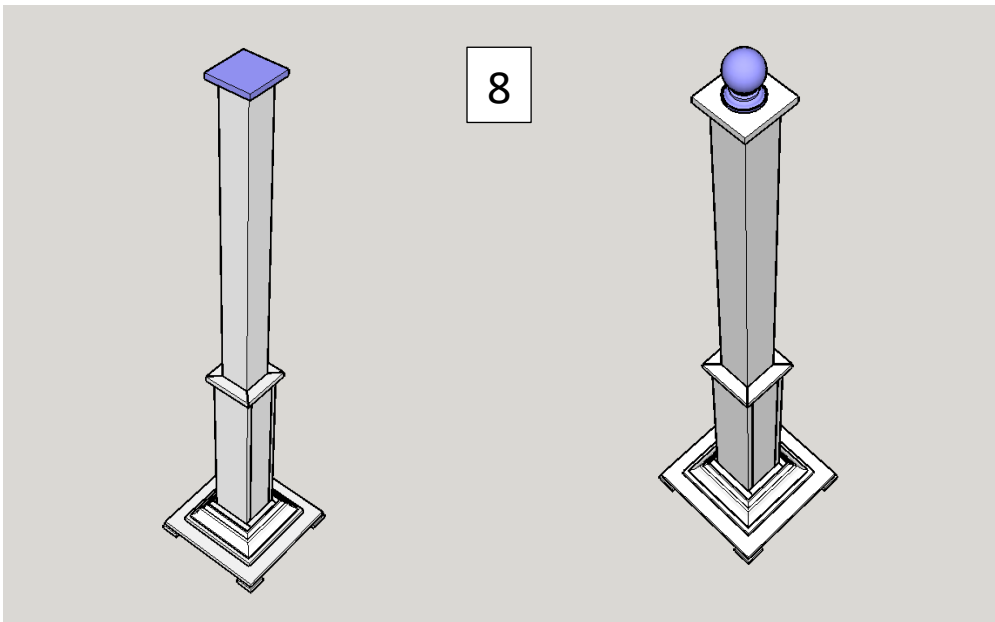
3. Glue and clamp together the three 16.5" pieces of 1x4 along the edges. While the glue is drying, screw them to the bottom of the post. Sink several 3" long screws straight through the bottom into the end of the post.
4. Attach the two 10.5" 1x4 pieces on top of the square base, flush against the post. Place them perpendicular to the planks in the base to help hold everything together better. Use wood glue and screw together from the bottom. In the same way, add the 5" pieces of 4x4 to fill in the spaces.



5. Attach the square feet on the bottom corners of the large base. Glue and sink a wood screw up from the bottom.
6. Wrap the post with the short pieces of 1x2, with the tops measuring 3" up from the top of the base. Attach with glue and brads/finish nails.
7. Cut and attach the molding.



8. Center the 5.5" piece of 1x6 on the top of the post. Glue in place and add a finish nail in 2 opposite corners. Then pre-drill the hole for the finial right in the center and screw it in place. This will help hold the square piece in place.



9. Caulk all holes and seams, paint, and attach coat hooks.